



POWERSTAR TRUCKS INDUSTRY CO., LIMITED



Truck Mounted Crane

TELESCOPING BOOM CRANE SERIES

直臂式随车起重机系列

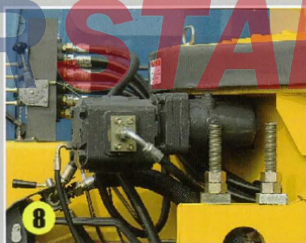
www.isuzutruckscn.com

产品特点及优势

FEATURES & ADVANTAGES



- 1、单缸拉索同步伸缩技术，工作效率更高。
Single cylinder synchronization guy cable technology make work efficiency more higher than before.
- 2、先进的研发手段，确保设计可靠性。
Advanced development means make sure that the design is very reliable.
- 3、五边形及六边形吊臂技术，对中性好，截面抗弯能力强。
The more symmetrical center design of pentagon & hexagon boom make it has bigger anti-bending capacity.
- 4、紧凑的铰点设计，占据空间小。
Compact Hinge point design take up smaller space.
- 5、标配防过卷报警装置，作业更安全。
The work is more safety after fitted with overwind alarm equipment.
- 6、整体式起升绞车机构，工作效率更高，液压系统寿命更长。
The integer lifting winch improved the work efficiency greatly and prolonged work life of hydraulic system.
- 7、独特的浮动式三点桥结构设计，有效降低车辆行驶时底盘大梁所承受的附加应力。
Float three-point bridge structure design can lower the accessional stress on the chassis when traveling.
- 8、自主研发的回转机构，具有强大的驱动力，可满足更多工况需要。
Self-designed & developed slewing machine with greater drive force can meet varied requirements of working situation.
- 9、防回转冲击装置，有效保护车辆行驶安全。
Anti-slewing impulse equipment that make vehicle running safely.



选配部件

OPTIONAL PARTS



- 1、力矩限制电器系统 Moment limited device
- 2、遥控装置 Remote control equipment
- 3、防过卷卸荷电磁阀 Anti-overwind magnet valve
- 4、高位工作座椅 High seat on column
- 5、辅助后支腿 Assistant stabilizer leg
- 6、U形臂系列，吊机均可加装附臂、附钩、副卷扬。

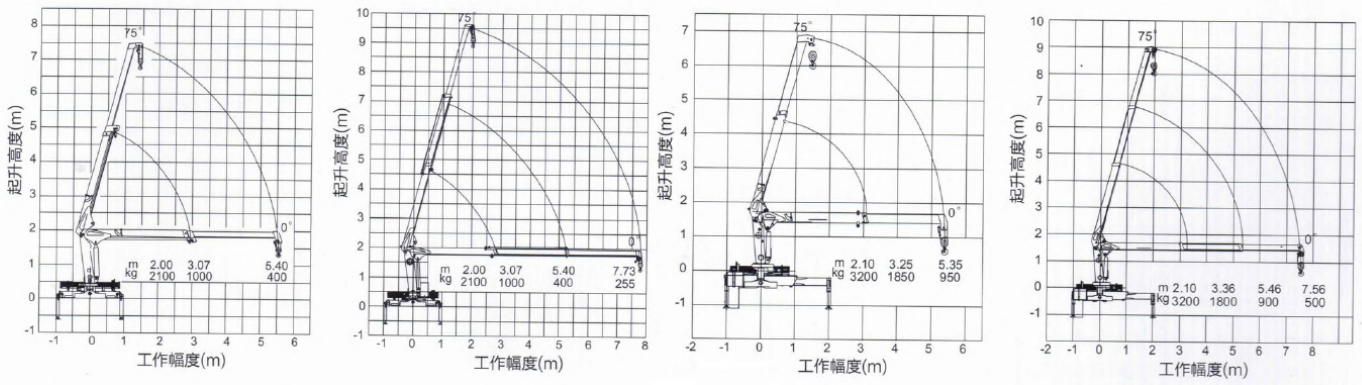
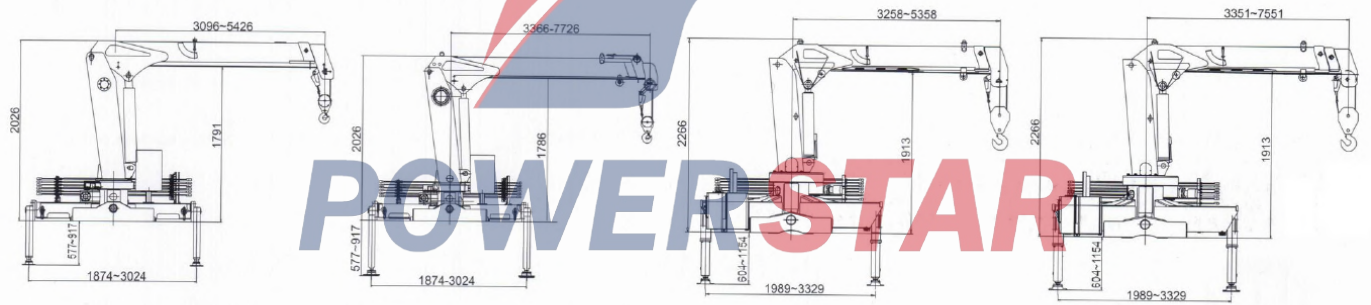
| 后支腿 | 跨距 |
|-------|-------------|
| 固定式 | 2179mm |
| 单控伸缩式 | 2256~3556mm |
| 双控伸缩式 | 2212~4752mm |



安全·环保·可靠·领先

| 项目 | Ltem | 单位Unit | SQ2SK1Q | SQ2SK2Q | SQ3.2SK1Q | SQ3.2SK2Q |
|----------|----------------------------------|--------|-----------------------|---------|-----------|-----------|
| 最大起升质量 | Max Lifting Capacity | kg | 2100 | 2100 | 3200 | 3200 |
| 最大起重力矩 | Max Lifting Moment | T.M | 4.2 | 4.2 | 6.8 | 6.8 |
| 推荐功率 | Recommend Power | kw | 9 | 9 | 14 | 14 |
| 液压系统最大流量 | Max Oil Flow of Hydraulic System | L/min | 20 | 20 | 25 | 25 |
| 液压系统额定压力 | Max Pressure of Hydraulic System | MPa | 16 | 16 | 20 | 20 |
| 油箱容积 | Oil Tank Capacity | L | 25 | 25 | 30 | 30 |
| 起重机自重 | Crane Weight | kg | 875 | 950 | 1105 | 1229 |
| 安装空间 | Installation Space | mm | 850 | 850 | 850 | 850 |
| 回转角度 | Rotation Angle | ° | 360° 全回转 All Rotation | | | |

| SQ2SK1Q | | | SQ2SK2Q | | | | SQ3.2SK1Q | | | SQ3.2SK2Q | | | |
|----------------------------|-------------------------------|-------|----------------------------|-------------------------------|-------|-------|----------------------------|-------------------------------|-------|----------------------------|-------------------------------|-------|-------|
| 起重性能参数表 Rated lifting load | | | 起重性能参数表 Rated lifting load | | | | 起重性能参数表 Rated lifting load | | | 起重性能参数表 Rated lifting load | | | |
| 工作幅度(m) | 不同臂长最大起升载荷Max lifted load(kg) | | 工作幅度(m) | 不同臂长最大起升载荷Max lifted load(kg) | | | 工作幅度(m) | 不同臂长最大起升载荷Max lifted load(kg) | | 工作幅度(m) | 不同臂长最大起升载荷Max lifted load(kg) | | |
| Working Radius | 3.30m | 5.66m | Working Radius | 3.30m | 5.66m | 7.99m | Working Radius | 3.30m | 5.50m | Working Radius | 3.30m | 5.50m | 7.73m |
| 2.10 | 2100 | 1000 | 2.10 | 2100 | 1000 | 420 | 2.10 | 3200 | 2000 | 2.10 | 3200 | 2000 | 1620 |
| 2.50 | 1800 | 960 | 2.50 | 1600 | 960 | 420 | 2.50 | 2300 | 1950 | 2.50 | 2300 | 1950 | 1520 |
| 3.00 | 1000 | 920 | 3.00 | 1000 | 920 | 420 | 3.00 | 1850 | 1850 | 3.00 | 1800 | 1850 | 1300 |
| 3.50 | 880 | | 3.50 | 880 | 410 | | 3.50 | 1650 | | 3.50 | 1650 | 1100 | |
| 4.00 | 800 | | 4.00 | 800 | 410 | | 4.00 | 1420 | | 4.00 | 1420 | 940 | |
| 4.50 | 730 | | 4.50 | 730 | 400 | | 4.50 | 1250 | | 4.50 | 1250 | 860 | |
| 5.00 | 600 | | 5.00 | 600 | 400 | | 5.00 | 990 | | 5.00 | 990 | 780 | |
| 5.40 | 400 | | 5.50 | 400 | 390 | | 5.35 | 950 | | 5.50 | 950 | 730 | |
| | | | 6.00 | | 370 | | | | | 6.00 | | 680 | |
| | | | 6.50 | | 350 | | | | | 6.50 | | 580 | |
| | | | 7.00 | | 310 | | | | | 7.00 | | 530 | |
| | | | 7.50 | | 290 | | | | | 7.56 | | 500 | |
| | | | 7.73 | | 255 | | | | | | | | |



Recommendable Chassis 推荐底盘:

1. ISUZU, HINO, UD NISSAN
2. DONGFENG, BEIBEN(China North Benz), FOTON, SINOTRUK, FAW, JAC, JMC, SHACMAN, CAMC, ETC

| 项目 | Ltem | 单位Unit | SQ4SK2Q | SQ4SK3Q | SQ5SK2Q |
|----------|----------------------------------|--------|-----------------------|---------|---------|
| 最大起升质量 | Max Lifting Capacity | kg | 4000 | 4000 | 5000 |
| 最大起重力矩 | Max Lifting Moment | T.M | 10 | 10 | 12.5 |
| 推荐功率 | Recommend Power | kw | 16 | 16 | 18 |
| 液压系统最大流量 | Max Oil Flow of Hydraulic System | L/min | 25 | 25 | 32 |
| 液压系统额定压力 | Max Pressure of Hydraulic System | MPa | 20 | 20 | 20 |
| 油箱容积 | Oil Tank Capacity | L | 30 | 60 | 90 |
| 起重机自重 | Crane Weight | kg | 1271 | 1396 | 2120 |
| 安装空间 | Installation Space | mm | 850 | 850 | 900 |
| 回转角度 | Rotation Angle | ° | 360° 全回转 All Rotation | | |

SQ4SK2Q

起重性能参数表 Rated lifting load

| 工作幅度(m) Working Radius | 不同臂长最大起升载荷Max lifted load(kg) | | |
|---------------------------|-------------------------------|-------|-------|
| | 3.40m | 5.70m | 8.10m |
| 2.10 | 4000 | 2710 | 2000 |
| 2.50 | 4000 | 2400 | 2000 |
| 3.00 | 3000 | 2120 | 1880 |
| 3.50 | | 1840 | 1680 |
| 4.00 | | 1620 | 1530 |
| 4.50 | | 1450 | 1370 |
| 5.00 | | 1290 | 1190 |
| 5.50 | | 1170 | 1120 |
| 6.00 | | | 990 |
| 6.50 | | | 930 |
| 7.00 | | | 860 |
| 7.50 | | | 790 |
| 7.93 | | | 754 |

SQ4SK3Q

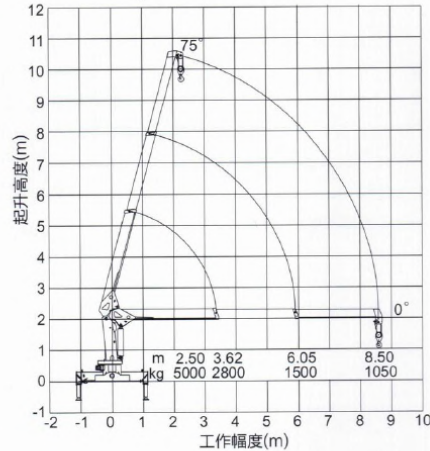
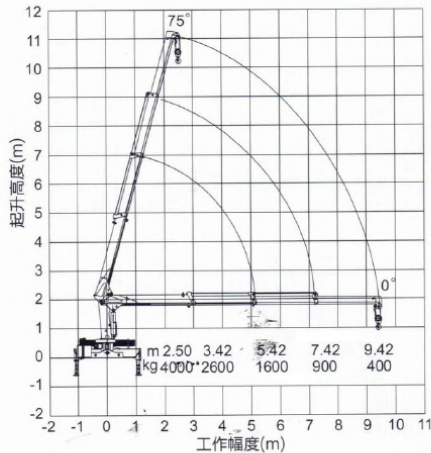
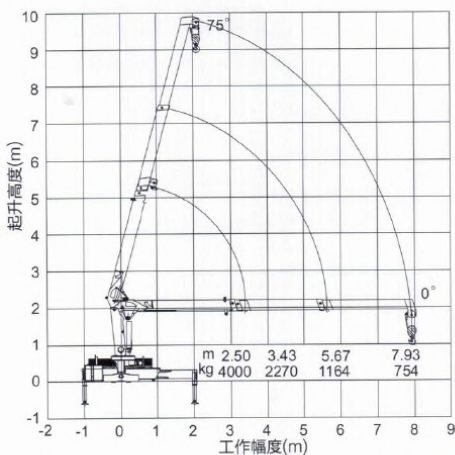
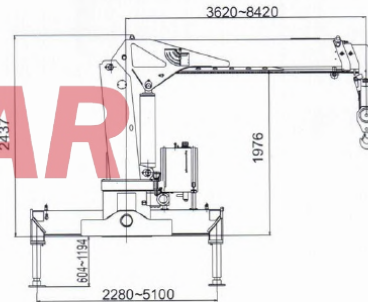
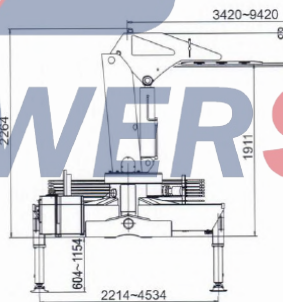
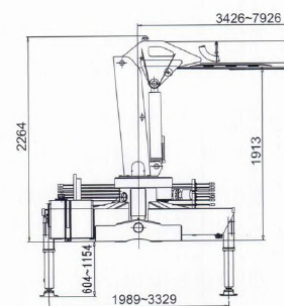
起重性能参数表 Rated lifting load

| 工作幅度(m) Working Radius | 不同臂长最大起升载荷Max lifted load(kg) | | | |
|---------------------------|-------------------------------|-------|-------|-------|
| | 3.70m | 5.70m | 7.70m | 9.60m |
| 2.50 | 4000 | 3180 | 3120 | 1460 |
| 3.00 | 2900 | 2850 | 2380 | 1320 |
| 3.40 | 2600 | 2520 | 1880 | 1180 |
| 4.00 | | 2150 | 1620 | 980 |
| 4.50 | | 1850 | 1510 | 800 |
| 5.00 | | 1750 | 1350 | 750 |
| 5.40 | | 1600 | 1280 | 680 |
| 6.00 | | | 1060 | 620 |
| 6.50 | | | 1020 | 560 |
| 7.00 | | | 950 | 520 |
| 7.40 | | | 900 | 500 |
| 8.00 | | | | 490 |
| 8.50 | | | | 460 |
| 9.00 | | | | 420 |
| 9.42 | | | | 400 |

SQ5SK2Q

起重性能参数表 Rated lifting load

| 工作幅度(m) Working Radius | 不同臂长最大起升载荷Max lifted load(kg) | | |
|---------------------------|-------------------------------|-------|-------|
| | 3.80m | 6.25m | 8.70m |
| 2.50 | 5000 | 3000 | 1800 |
| 3.00 | 3420 | 2910 | 1800 |
| 3.50 | 2940 | 2720 | 1800 |
| 4.00 | | 2470 | 1760 |
| 4.50 | | 2120 | 1700 |
| 5.00 | | 1780 | 1610 |
| 5.50 | | 1650 | 1520 |
| 6.00 | | 1500 | 1460 |
| 6.50 | | | 1280 |
| 7.00 | | | 1240 |
| 7.50 | | | 1180 |
| 8.00 | | | 1100 |
| 8.50 | | | 1050 |



Recommendable Chassis 推荐底盘:

1. ISUZU, HINO, UD NISSAN
2. DONGFENG, BEIBEN(China North Benz), FOTON, SINOTRUK, FAW, JAC, JMC, SHACMAN, CAMC, ETC

| 项目 | Item | 单位Unit | SQ5SK3Q | SQ6.3SK2Q | SQ6.3SK3Q |
|----------|----------------------------------|--------|-----------------------|-----------|-----------|
| 最大起升质量 | Max Lifting Capacity | kg | 5000 | 6300 | 6300 |
| 最大起重力矩 | Max Lifting Moment | T.M | 12.5 | 15.7 | 15.7 |
| 推荐功率 | Recommend Power | kw | 18 | 20 | 20 |
| 液压系统最大流量 | Max Oil Flow of Hydraulic System | L/min | 32 | 40 | 40 |
| 液压系统额定压力 | Max Pressure of Hydraulic System | MPa | 20 | 20 | 20 |
| 油箱容积 | Oil Tank Capacity | L | 90 | 90 | 90 |
| 起重机自重 | Crane Weight | kg | 2260 | 2160 | 2290 |
| 安装空间 | Installation Space | mm | 900 | 900 | 900 |
| 回转角度 | Rotation Angle | ° | 360° 全回转 All Rotation | | |

SQ5SK3Q

起重性能参数表 Rated lifting load

| 工作幅度(m) Working Radius | 不同臂长最大起升载荷Max lifted load(kg) | | | |
|---------------------------|-------------------------------|-------|-------|--------|
| | 4.00m | 6.41m | 8.81m | 11.20m |
| 2.50 | 5000 | 2920 | 1800 | 1250 |
| 3.00 | 3620 | 2850 | 1800 | 1250 |
| 3.50 | 3120 | 2650 | 1800 | 1200 |
| 4.00 | | 2380 | 1760 | 1180 |
| 4.50 | | 2160 | 1720 | 1150 |
| 5.00 | | 1860 | 1680 | 1120 |
| 5.50 | | 1780 | 1600 | 1100 |
| 6.00 | | 1580 | 1450 | 1060 |
| 6.50 | | | 1310 | 960 |
| 7.00 | | | 1280 | 900 |
| 7.50 | | | 1250 | 840 |
| 8.00 | | | 1180 | 760 |
| 8.50 | | | 1120 | 690 |
| 9.00 | | | | 650 |
| 9.50 | | | | 600 |
| 10.00 | | | | 550 |
| 10.50 | | | | 480 |
| 11.00 | | | | 400 |

SQ6.3SK2Q

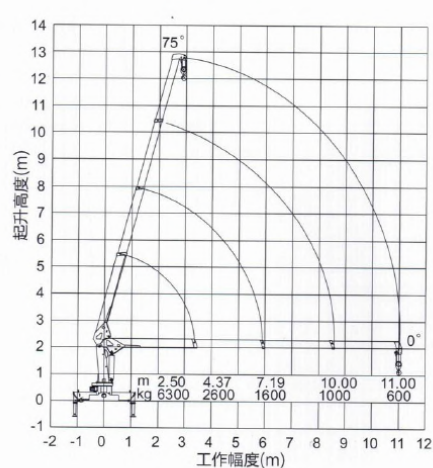
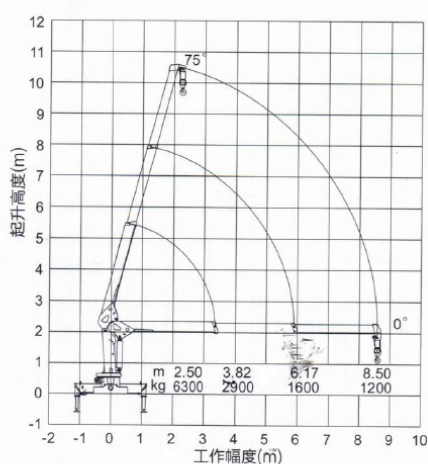
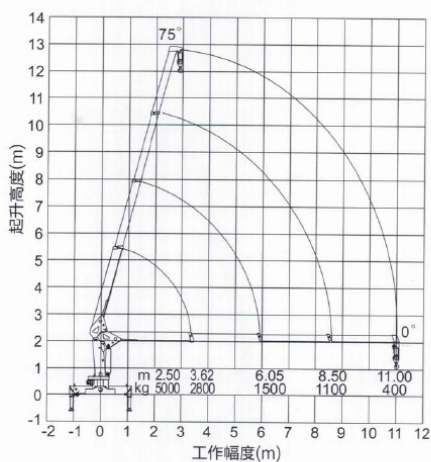
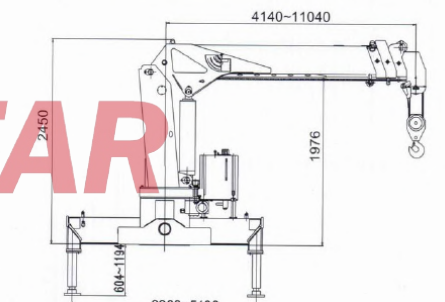
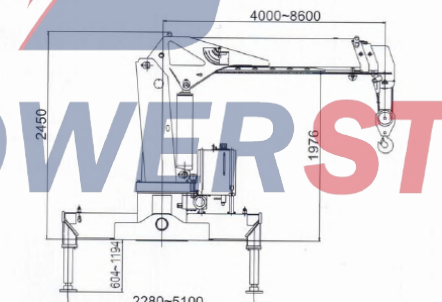
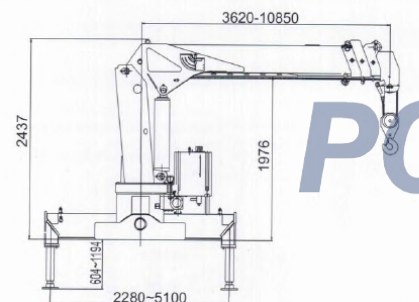
起重性能参数表 Rated lifting load

| 工作幅度(m) Working Radius | 不同臂长最大起升载荷Max lifted load(kg) | | |
|---------------------------|-------------------------------|-------|-------|
| | 4.02m | 6.37m | 8.72m |
| 2.50 | 6300 | 3000 | 1900 |
| 3.00 | 3870 | 3000 | 1900 |
| 3.50 | 3650 | 2750 | 1900 |
| 4.00 | | 2480 | 1880 |
| 4.50 | | 2180 | 1860 |
| 5.00 | | 1920 | 1840 |
| 5.50 | | 1770 | 1680 |
| 6.00 | | 1680 | 1520 |
| 6.50 | | | 1400 |
| 7.00 | | | 1350 |
| 7.50 | | | 1290 |
| 8.00 | | | 1250 |
| 8.50 | | | 1200 |

SQ6.3SK3Q

起重性能参数表 Rated lifting load

| 工作幅度(m) Working Radius | 不同臂长最大起升载荷Max lifted load(kg) | | | |
|---------------------------|-------------------------------|-------|-------|--------|
| | 4.16m | 6.51m | 8.86m | 11.20m |
| 2.50 | 6300 | 3000 | 1850 | 1500 |
| 3.00 | 4100 | 3000 | 1850 | 1500 |
| 3.50 | 3440 | 2760 | 1820 | 1420 |
| 4.00 | | 2510 | 1820 | 1370 |
| 4.50 | | 2280 | 1800 | 1320 |
| 5.00 | | 2030 | 1760 | 1240 |
| 5.50 | | 1880 | 1700 | 1200 |
| 6.00 | | 1690 | 1580 | 1150 |
| 6.50 | | | 1420 | 1060 |
| 7.00 | | | 1360 | 1000 |
| 7.50 | | | 1300 | 970 |
| 8.00 | | | 1260 | 930 |
| 8.50 | | | 1230 | 890 |
| 9.00 | | | | 850 |
| 9.50 | | | | 800 |
| 10.00 | | | | 750 |
| 10.50 | | | | 660 |
| 11.00 | | | | 600 |

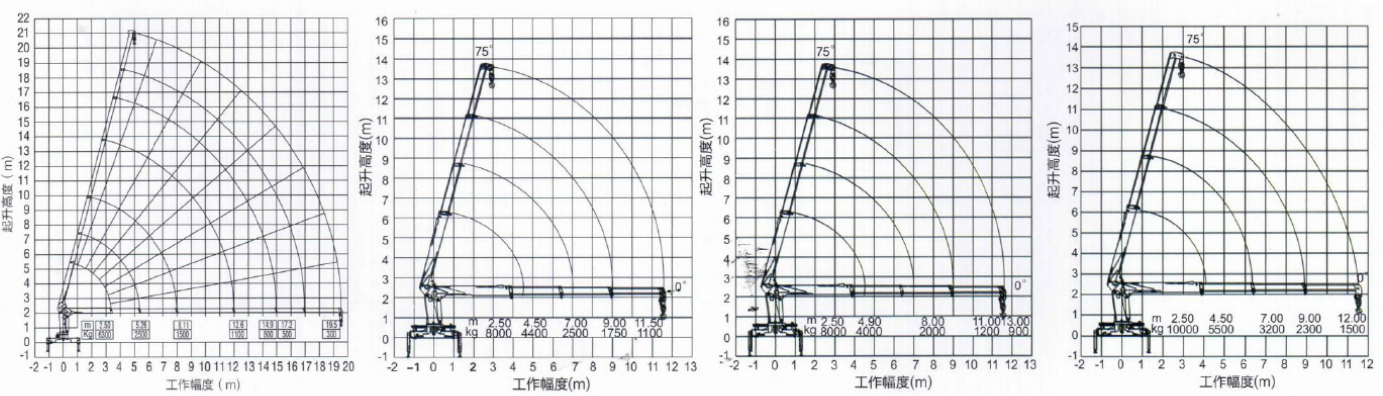
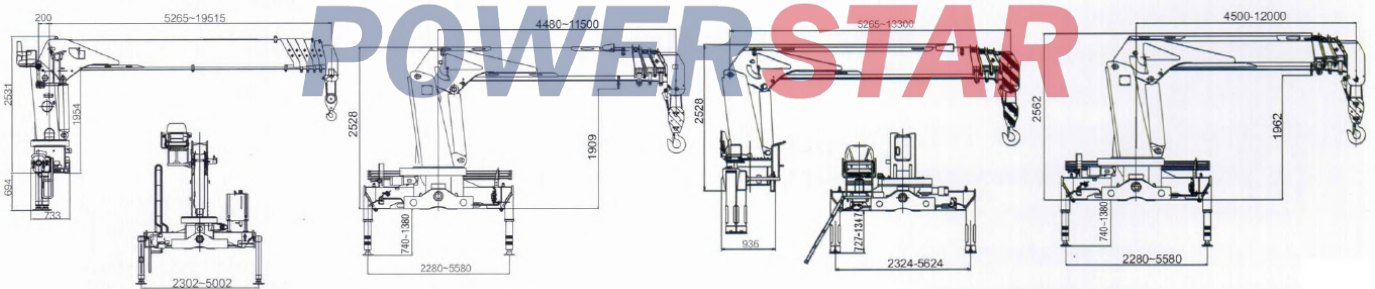


Recommendable Chassis 推荐底盘:

1. ISUZU, HINO, UD NISSAN
2. DONGFENG, BEIBEN(China North Benz), FOTON, SINOTRUK, FAW, JAC, JMC, SHACMAN, CAMC, ETC

| 项目 | Item | 单位Unit | SQS157B | SQ8SK3Q | SQ8SK3Q-II | SQS10SK3Q |
|----------|----------------------------------|--------|-----------------------|---------|------------|-----------|
| 最大起升质量 | Max Lifting Capacity | kg | 6300 | 8000 | 8000 | 10000 |
| 最大起重力矩 | Max Lifting Moment | T.M | 15.75 | 20 | 20 | 25 |
| 推荐功率 | Recommend Power | kw | 20 | 27 | 27 | 30 |
| 液压系统最大流量 | Max Oil Flow of Hydraulic System | L/min | 40 | 55 | 95 | 63 |
| 液压系统额定压力 | Max Pressure of Hydraulic System | MPa | 20 | 27 | 27 | 26 |
| 油箱容积 | Oil Tank Capacity | L | 90 | 160 | 160 | 160 |
| 起重机自重 | Crane Weight | kg | 3035 | 3315 | 3475 | 3765 |
| 安装空间 | Installation Space | mm | 900 | 1200 | 1200 | 1150 |
| 回转角度 | Rotation Angle | ° | 360° 全回转 All Rotation | | | |

| SQS157B | | SQ8SK3Q | | SQ8SK3Q-II | | SQ10SK3Q | |
|----------------------------|-----------------------------------|----------------------------|-------------------------------|----------------------------|-------------------------------|----------------------------|-------------------------------|
| 起重性能参数表 Rated lifting load | | 起重性能参数表 Rated lifting load | | 起重性能参数表 Rated lifting load | | 起重性能参数表 Rated lifting load | |
| 工作幅度(m) | 不同臂长最大起升载荷Max lifted load(kg) | 工作幅度(m) | 不同臂长最大起升载荷Max lifted load(kg) | 工作幅度(m) | 不同臂长最大起升载荷Max lifted load(kg) | 工作幅度(m) | 不同臂长最大起升载荷Max lifted load(kg) |
| Working Radius | 5.46 8.31 10.59 15.15 17.43 19.71 | Working Radius | 4.85m 7.35m 9.35m 11.85m | Working Radius | 5.20m 8.30m 11.30m 13.30m | Working Radius | 4.85m 7.35m 9.35m 12.35m |
| 2.5 | 6300 5800 | 2.50 | 8000 6000 5500 | 2.50 | 8000 6000 5200 | 2.50 | 10000 6960 5990 |
| 3 | 4700 4200 3900 | 3.00 | 7460 5880 5250 4500 | 3.00 | 6670 5500 4520 3400 | 3.00 | 7940 6020 5420 5280 |
| 4 | 3300 3000 2800 2100 | 3.50 | 6330 5400 4820 4160 | 3.50 | 5700 4750 3870 3000 | 3.50 | 6980 5330 5150 4540 |
| 5 | 2500 2300 2100 1450 1300 1200 | 4.00 | 5300 4590 4300 3820 | 4.00 | 5000 4150 3390 2660 | 4.00 | 6140 5140 4880 3930 |
| 6 | 2000 1900 1300 1000 900 | 4.50 | 4400 4100 3820 3620 | 4.50 | 4000 3680 3000 2400 | 4.50 | 5500 4860 4550 3680 |
| 7 | 1800 1700 1200 950 850 | 5.00 | 3800 3450 3210 | 5.00 | 3320 2700 2150 | 5.00 | 4310 4100 3420 |
| 8 | 1500 1500 1100 900 780 | 5.50 | 3350 3100 2950 | 5.50 | 3000 2500 1950 | 5.50 | 3880 3600 3170 |
| 9 | 1450 1000 880 700 | 6.00 | 3030 2830 2630 | 6.00 | 2700 2262 1850 | 6.00 | 3600 3350 2930 |
| 10 | 1350 980 850 650 | 6.50 | 2780 2620 2510 | 6.50 | 2550 2000 1710 | 6.50 | 3400 3130 2730 |
| 11 | 950 800 600 | 7.00 | 2600 2390 2270 | 7.00 | 2370 1950 1560 | 7.00 | 3200 2920 2530 |
| 12 | 930 750 550 | 7.50 | 2230 2100 | 7.50 | 2210 1800 1480 | 7.50 | 2710 2340 |
| 13 | 900 700 500 | 8.00 | 2040 1980 | 8.00 | 2000 1650 1400 | 8.00 | 2530 2190 |
| 14 | 850 650 450 | 8.50 | 1860 1810 | 8.50 | 1600 1330 | 8.50 | 2400 2060 |
| 15 | 800 600 420 | 9.00 | 1750 1690 | 9.00 | 1500 1260 | 9.00 | 2300 1930 |
| 16 | 550 400 | 9.50 | 1560 | 9.50 | 1400 1200 | 9.50 | 1840 |
| 17 | 500 380 | 10.00 | 1460 | 10.00 | 1350 1150 | 10.00 | 1760 |
| 18 | 350 | 10.50 | 1390 | 10.50 | 1250 1050 | 10.50 | 1680 |
| 19 | 330 | 11.00 | 1230 | 11.00 | 1200 1000 | 11.00 | 1630 |
| 19.5 | 300 | 11.50 | 1100 | 11.50 | 980 | 11.50 | 1560 |
| 推荐倍率 | 4 4 3 3 3 3 | | | 12.00 | 950 | 12.00 | 1500 |
| | | | | 12.50 | 900 | | |
| | | | | 13.00 | 900(13.0) | | |



Recommendable Chassis 推荐底盘:

1. ISUZU, HINO, UD NISSAN
2. DONGFENG, BEIBEN(China North Benz), FOTON, SINOTRUK, FAW, JAC, JMC, SHACMAN, CAMC, ETC

| 项目 | Ltem | 单位Unit | SQ10SK3Q- II | SQ12SK3Q | SQ12SK3Q- II |
|----------|----------------------------------|--------|-----------------------|----------|--------------|
| 最大起升质量 | Max Lifting Capacity | kg | 10000 | 12000 | 12000 |
| 最大起重力矩 | Max Lifting Moment | T.M | 25 | 30 | 30 |
| 推荐功率 | Recommend Power | kw | 30 | 30 | 30 |
| 液压系统最大流量 | Max Oil Flow of Hydraulic System | L/min | 100 | 63 | 100 |
| 液压系统额定压力 | Max Pressure of Hydraulic System | MPa | 26 | 26 | 26 |
| 油箱容积 | Oil Tank Capacity | L | 160 | 160 | 260 |
| 起重机自重 | Crane Weight | kg | 3955 | 4316 | 4460 |
| 安装空间 | Installation Space | mm | 1200 | 1300 | 1300 |
| 回转角度 | Rotation Angle | ° | 360° 全回转 All Rotation | | |

SQ10SK3Q-II

起重性能参数表 Rated lifting load

| 工作幅度(m) Working Radius | 不同臂长最大起升载荷Max lifted load(kg) | | | |
|---------------------------|-------------------------------|-------|--------|-------------|
| | 5.30m | 8.30m | 11.30m | 13.80m |
| 2.50 | 10000 | 6500 | 5200 | |
| 3.00 | 8300 | 6500 | 5200 | 4000 |
| 3.50 | 7150 | 5900 | 5150 | 4000 |
| 4.00 | 6250 | 5200 | 4520 | 3950 |
| 4.50 | 5000 | 4600 | 4000 | 3500 |
| 5.00 | | 4150 | 3600 | 3200 |
| 5.50 | | 3770 | 3250 | 2900 |
| 6.00 | | 3500 | 3000 | 2700 |
| 6.50 | | 3200 | 2750 | 2500 |
| 7.00 | | 3000 | 2550 | 2350 |
| 7.50 | | 2700 | 2400 | 2200 |
| 8.00 | | | 2500 | 2100 |
| 8.50 | | | 2120 | 1950 |
| 9.00 | | | 2000 | 1850 |
| 9.50 | | | 1900 | 1750 |
| 10.00 | | | 1800 | 1700 |
| 10.50 | | | 1720 | 1630 |
| 11.00 | | | | 1600 |
| 11.50 | | | | 1450 |
| 12.00 | | | | 1400 |
| 12.50 | | | | 1350 |
| 13.00 | | | | 1300 |
| 13.50 | | | | 1300(13.50) |

SQ12SK3Q

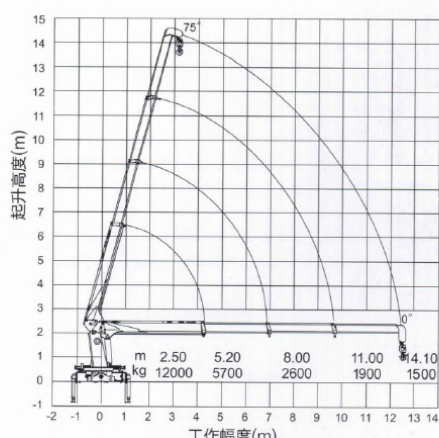
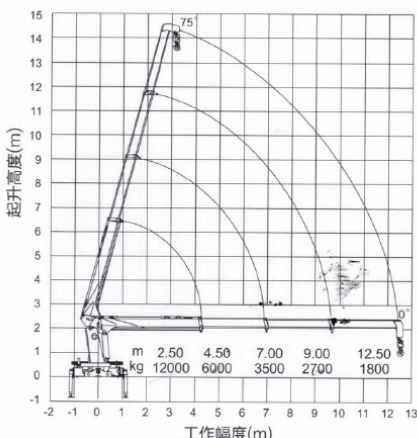
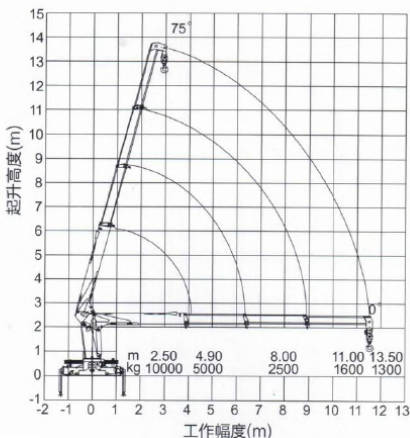
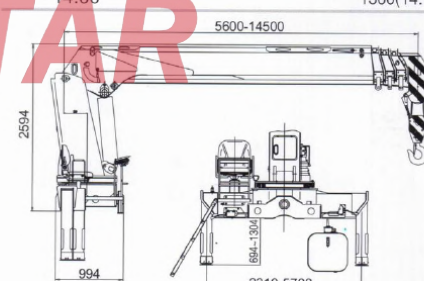
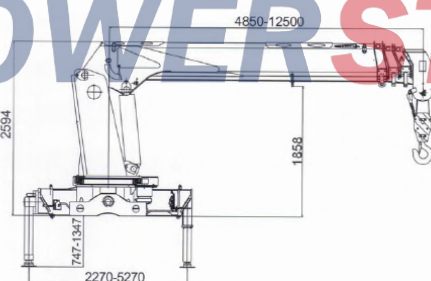
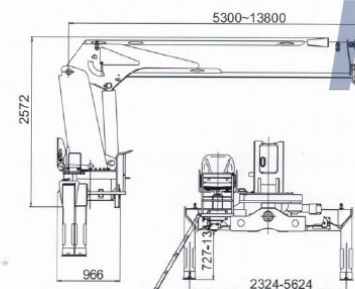
起重性能参数表 Rated lifting load

| 工作幅度(m) Working Radius | 不同臂长最大起升载荷Max lifted load(kg) | | | |
|---------------------------|-------------------------------|-------|-------|--------|
| | 5.15m | 7.35m | 9.35m | 12.85m |
| 2.50 | 12000 | 8180 | 7500 | |
| 3.00 | 9700 | 7710 | 7310 | 6000 |
| 3.50 | 8000 | 7170 | 6670 | 5200 |
| 4.00 | 7000 | 6500 | 6020 | 4500 |
| 4.50 | 6000 | 5860 | 5420 | 4300 |
| 5.00 | | 5310 | 4890 | 4100 |
| 5.50 | | 4820 | 4370 | 3900 |
| 6.00 | | 4400 | 3990 | 3700 |
| 6.50 | | 4000 | 3690 | 3500 |
| 7.00 | | | 3500 | 3420 |
| 7.50 | | | | 3210 |
| 8.00 | | | | 3020 |
| 8.50 | | | | 2990 |
| 9.00 | | | | 2800 |
| 9.50 | | | | 2800 |
| 10.00 | | | | 2700 |
| 10.50 | | | | 2300 |
| 11.00 | | | | 2180 |
| 11.50 | | | | 2060 |
| 12.00 | | | | 1980 |
| 12.50 | | | | 1920 |
| 13.00 | | | | 1850 |
| 13.50 | | | | 1800 |

SQ12SK3Q-II

起重性能参数表 Rated lifting load

| 工作幅度(m) Working Radius | 不同臂长最大起升载荷Max lifted load(kg) | | | |
|---------------------------|-------------------------------|-------|--------|--------|
| | 5.60m | 8.55m | 11.50m | 14.50m |
| 2.50 | 12000 | 7000 | 5500 | |
| 3.00 | 10000 | 7000 | 5500 | |
| 3.50 | 8500 | 7000 | 5500 | 4000 |
| 4.00 | 7500 | 6250 | 5500 | 4000 |
| 4.50 | 6600 | 5500 | 5000 | 4000 |
| 5.00 | 6000 | 5000 | 4500 | 3890 |
| 5.50 | | 4500 | 4000 | 3500 |
| 6.00 | | 4150 | 3750 | 3300 |
| 6.50 | | 3800 | 3450 | 3000 |
| 7.00 | | 3500 | 3200 | 2850 |
| 7.50 | | 3300 | 3000 | 2675 |
| 8.00 | | | 2600 | 2800 |
| 8.50 | | | | 2500 |
| 9.00 | | | | 2650 |
| 9.50 | | | | 2350 |
| 10.00 | | | | 2500 |
| 10.50 | | | | 2250 |
| 11.00 | | | | 2140 |
| 11.50 | | | | 2050 |
| 12.00 | | | | 1900 |
| 12.50 | | | | 1860 |
| 13.00 | | | | 1780 |
| 13.50 | | | | 1710 |
| 14.00 | | | | 1650 |
| 14.10 | | | | 1580 |
| 14.10 | | | | 1500 |



Recommendable Chassis 推荐底盘:

1. ISUZU, HINO, UD NISSAN
2. DONGFENG, BEIBEN(China North Benz), FOTON, SINOTRUK, FAW, JAC, JMC, SHACMAN, CAMC, ETC

| 项目 | Ltem | 单位Unit | SQ14SK4Q | SQ16SK4Q | SQS500K |
|----------|----------------------------------|--------|-----------------------|----------|---------|
| 最大起升质量 | Max Lifting Capacity | kg | 14000 | 16000 | 20000 |
| 最大起重力矩 | Max Lifting Moment | T.M | 35 | 43.2 | 50 |
| 推荐功率 | Recommend Power | kw | 30 | 41 | 60 |
| 液压系统最大流量 | Max Oil Flow of Hydraulic System | L/min | 63 | 80 | 120 |
| 液压系统额定压力 | Max Pressure of Hydraulic System | MPa | 26 | 28 | 26 |
| 油箱容积 | Oil Tank Capacity | L | 260 | 260 | 260 |
| 起重机自重 | Crane Weight | kg | 4845 | 6455 | 7100 |
| 安装空间 | Installation Space | mm | 1300 | 1400 | 1300 |
| 回转角度 | Rotation Angle | ° | 360° 全回转 All Rotation | | |

SQ14SK4Q

起重性能参数表 Rated lifting load

| 工作幅度(m) | 不同臂长最大起升载荷Max lifted load(kg) | | | | |
|----------------|-------------------------------|-------|--------|--------|--------|
| Working Radius | 5.37m | 8.37m | 11.37m | 13.57m | 16.17m |
| 2.50 | 14000 | 6000 | 5500 | | |
| 3.00 | 8000 | 6000 | 5400 | | |
| 3.50 | 7670 | 6000 | 5300 | 3940 | |
| 4.00 | 7260 | 5970 | 5270 | 3850 | 2970 |
| 4.50 | 6890 | 5880 | 5240 | 3770 | 2900 |
| 5.00 | 6000 | 5800 | 5220 | 3700 | 2820 |
| 5.50 | | 5400 | 5180 | 3630 | 2760 |
| 6.00 | | 5000 | 5110 | 3560 | 2700 |
| 6.50 | | 4430 | 5060 | 3460 | 2640 |
| 7.00 | | 3900 | 5000 | 3250 | 2580 |
| 7.50 | | 3500 | 4640 | 3040 | 2530 |
| 8.00 | | 3500 | 4240 | 2840 | 2480 |
| 8.50 | | | 3900 | 2670 | 2430 |
| 9.00 | | | 3610 | 2580 | 2390 |
| 9.50 | | | 3300 | 2490 | 2340 |
| 10.00 | | | 3110 | 2400 | 2300 |
| 10.50 | | | 2740 | 2290 | 2150 |
| 11.00 | | | | 2300 | 2180 |
| 11.50 | | | | 2080 | 1850 |
| 12.00 | | | | 1980 | 1700 |
| 12.50 | | | | 1880 | 1580 |
| 13.00 | | | | 1800 | 1450 |
| 13.50 | | | | | 1330 |
| 14.00 | | | | | 1270 |
| 14.50 | | | | | 1230 |
| 15.00 | | | | | 1200 |
| 15.50 | | | | | 1200 |

SQ16SK4Q

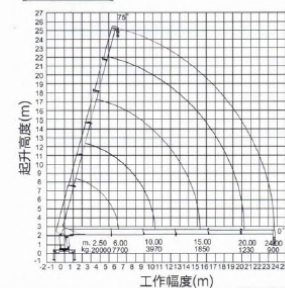
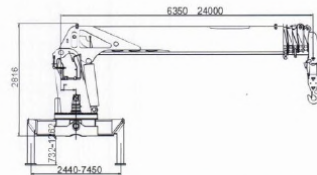
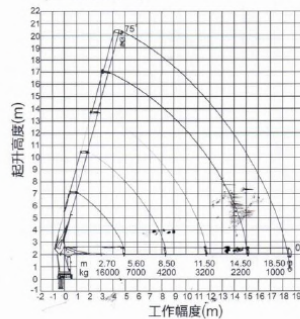
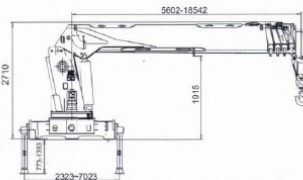
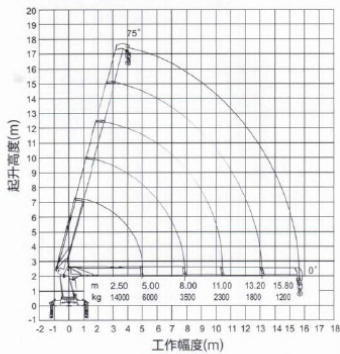
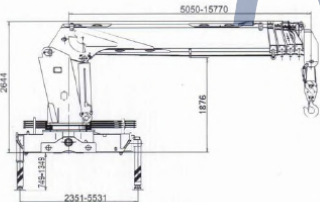
起重性能参数表 Rated lifting load

| 工作幅度(m) | 不同臂长最大起升载荷Max lifted load(kg) | | | | |
|----------------|-------------------------------|-------|--------|--------|--------|
| Working Radius | 5.90m | 8.80m | 11.80m | 14.80m | 18.80m |
| 2.70 | 16000 | 7000 | 6500 | | |
| 3.00 | 14000 | 6600 | 6200 | | |
| 3.50 | 12000 | 6300 | 5590 | 4000 | |
| 4.00 | 11310 | 6000 | 5290 | 3920 | |
| 4.50 | 10050 | 5940 | 5260 | 3840 | 3000 |
| 5.00 | 8560 | 5860 | 5230 | 3770 | 2940 |
| 5.50 | | 7000 | 5700 | 5200 | 3710 |
| 6.00 | | | 5330 | 5140 | 3640 |
| 6.50 | | | 5000 | 5090 | 3580 |
| 7.00 | | | 4760 | 5030 | 3500 |
| 7.50 | | | 4540 | 4850 | 3310 |
| 8.00 | | | 4400 | 4510 | 3120 |
| 8.50 | | | 4200 | 4160 | 2970 |
| 9.00 | | | | 3870 | 2780 |
| 9.50 | | | | 3610 | 2670 |
| 10.00 | | | | 3400 | 2610 |
| 10.50 | | | | 3340 | 2560 |
| 11.00 | | | | 3270 | 2500 |
| 11.50 | | | | 3200 | 2460 |
| 12.00 | | | | | 2430 |
| 12.50 | | | | | 2400 |
| 13.00 | | | | | 2350 |
| 13.50 | | | | | 2300 |
| 14.00 | | | | | 2250 |
| 14.50 | | | | | 2200 |
| 15.00 | | | | | 1500 |
| 15.50 | | | | | 1400 |
| 16.00 | | | | | 1300 |
| 16.50 | | | | | 1260 |
| 17.00 | | | | | 1230 |
| 17.50 | | | | | 1170 |
| 18.00 | | | | | 1080 |
| 18.50 | | | | | 1000 |

SQS500K

起重性能参数表 Rated lifting load

| 工作幅度(m) | 不同臂长最大起升载荷Max lifted load(kg) | | | | |
|----------------|-------------------------------|--------|--------|--------|--------|
| Working Radius | 6.35m | 10.35m | 15.35m | 20.35m | 24.35m |
| 2.50 | 20000 | | | | |
| 3.00 | 16500 | 14000 | | | |
| 3.50 | 14000 | 11700 | 8100 | | |
| 4.00 | 12000 | 10200 | 7100 | | |
| 4.50 | 11000 | 9100 | 6300 | | |
| 5.00 | 9500 | 8200 | 5670 | 5000 | |
| 5.50 | 8500 | 7450 | 5160 | 4550 | |
| 6.00 | 7700 | 6850 | 4730 | 4170 | 4000 |
| 6.50 | | 6300 | 4360 | 3850 | 3370 |
| 7.00 | | 5870 | 4050 | 3570 | 3130 |
| 7.50 | | 5450 | 3780 | 3330 | 2920 |
| 8.00 | | 5100 | 3550 | 3120 | 2739 |
| 8.50 | | 4850 | 3340 | 2940 | 2570 |
| 9.00 | | 4500 | 3150 | 2780 | 2435 |
| 9.50 | | 4200 | 3000 | 2630 | 2300 |
| 10.00 | | | 2830 | 2500 | 2190 |
| 10.50 | | | | 2700 | 2080 |
| 11.00 | | | | 2580 | 2270 |
| 11.50 | | | | 2460 | 2170 |
| 12.00 | | | | 2360 | 2080 |
| 12.50 | | | | 2270 | 2000 |
| 13.00 | | | | 2180 | 1920 |
| 13.50 | | | | 2100 | 1850 |
| 14.00 | | | | 2000 | 1780 |
| 14.50 | | | | 1950 | 1720 |
| 15.00 | | | | 1850 | 1680 |
| 15.50 | | | | | 1610 |
| 16.00 | | | | | 1560 |
| 16.50 | | | | | 1510 |
| 17.00 | | | | | 1470 |
| 17.50 | | | | | 1430 |
| 18.00 | | | | | 1390 |
| 18.50 | | | | | 1350 |
| 19.00 | | | | | 1300 |
| 19.50 | | | | | 1280 |
| 20.00 | | | | | 1250 |
| 20.50 | | | | | 1060 |
| 21.00 | | | | | 1040 |
| 21.50 | | | | | 1010 |
| 22.00 | | | | | 990 |
| 22.50 | | | | | 970 |
| 23.00 | | | | | 950 |
| 23.50 | | | | | 920 |
| 24.00 | | | | | 900 |

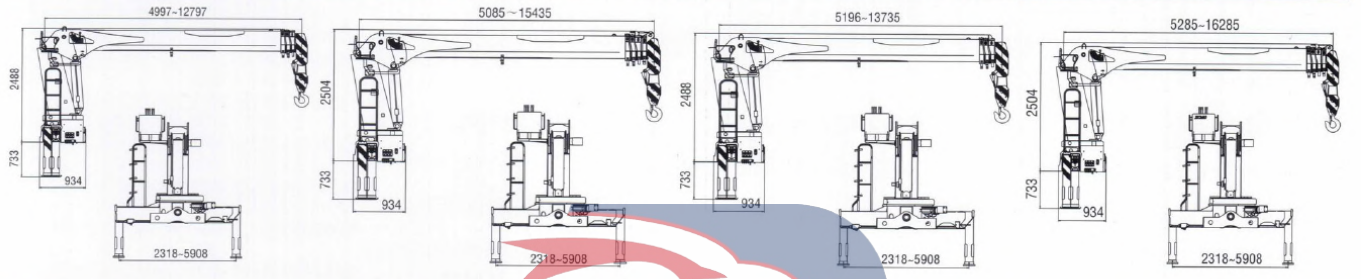


Recommendable Chassis 推荐底盘:

1. ISUZU, HINO, UD NISSAN
2. DONGFENG, BEIBEN(China North Benz), FOTON, SINOTRUK, FAW, JAC, JMC, SHACMAN, CAMC, ETC

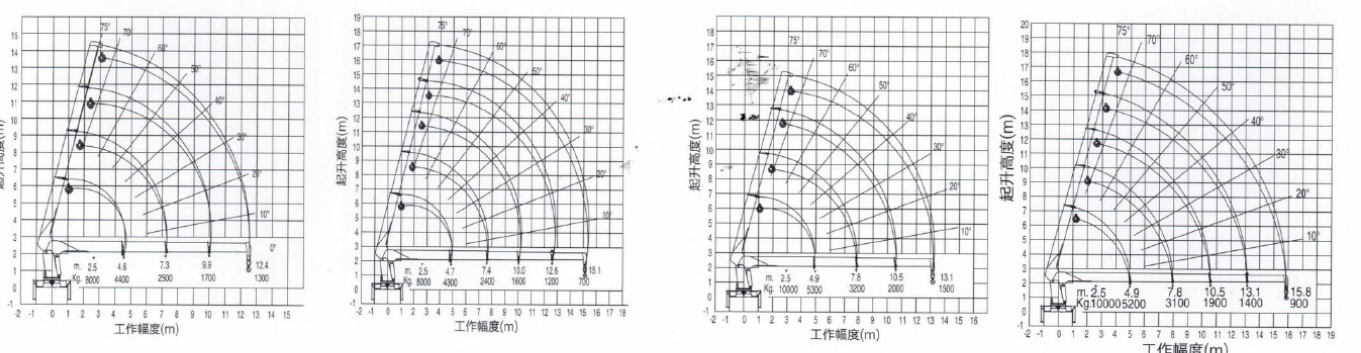
| 项目 | Ltem | 单位Unit | SQS200 II | SQS200 IV | SQS200 I | SQS200 III | SQS250 II | SQS250 IV | SQS250 I | SQS250 III |
|----------|----------------------------------|--------|-----------------------|-----------|----------|------------|-----------|-----------|----------|------------|
| 最大起升质量 | Max Lifting Capacity | kg | 8000 | | 8000 | | 10000 | | 10000 | |
| 最大起重力矩 | Max Lifting Moment | T.M | 20 | | 20 | | 25 | | 25 | |
| 推荐功率 | Recommend Power | kw | 45 | | 45 | | 45 | | 45 | |
| 液压系统最大流量 | Max Oil Flow of Hydraulic System | L/min | 55+55 | | 55+55 | | 55+55 | | 55+55 | |
| 液压系统额定压力 | Max Pressure of Hydraulic System | MPa | 25 | | 25 | | 26 | | 26 | |
| 油箱容积 | Oil Tank Capacity | L | 200 | | 200 | | 200 | | 200 | |
| 起重机自重 | Crane Weight | kg | 3370 | | 3770 | | 3570 | | 3970 | |
| 安装空间 | Installation Space | mm | 1300 | | 1300 | | 1300 | | 1300 | |
| 回转角度 | Rotation Angle | ° | 360° 全回转 All Rotation | | | | | | | |

| | | | |
|---------------------------------------|---------------------------------------|---------------------------------------|---------------------------------------|
| SQS200 II 型 SQS200 IV 型 | SQS200 I 型 SQS200 III 型 | SQS250 II 型 SQS250 IV 型 | SQS250 I 型 SQS250 III 型 |
| 三节伸缩臂、II型上下车操纵、IV型转台座椅操纵 | 四节伸缩臂、I型上下车操纵、III型转台座椅操纵 | 三节伸缩臂、II型上下车操纵、IV型转台座椅操纵 | 四节伸缩臂、I型上下车操纵、III型转台座椅操纵 |



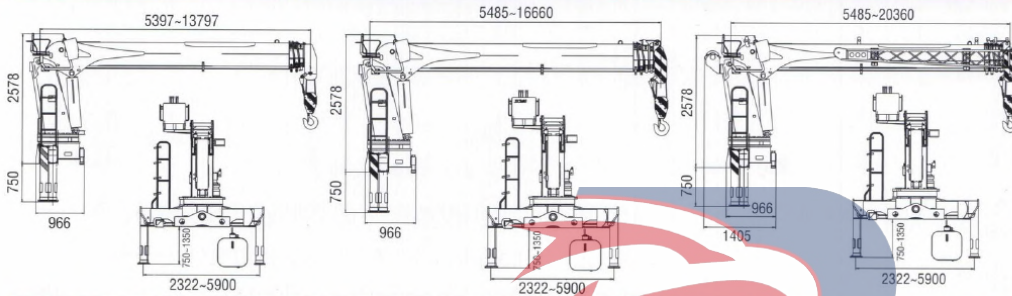
| | | | |
|----------------------------|----------------------------|----------------------------|----------------------------|
| SQS200随车起重机 | SQS200随车起重机 | SQS250随车起重机 | SQS250随车起重机 |
| 起重性能参数表 Rated lifting load | 起重性能参数表 Rated lifting load | 起重性能参数表 Rated lifting load | 起重性能参数表 Rated lifting load |

| SQS200随车起重机 | | | | | | SQS200随车起重机 | | | | | | SQS250随车起重机 | | | | | | SQS250随车起重机 | | | | | | |
|----------------------------|-------------------------------|------|------|-------|-------|----------------------------|-------------------------------|------|-------|-------|-------|----------------------------|-------------------------------|------|------------|-------|-------|----------------------------|-------------------------------|------------|------------|-----------|-------|------|
| 起重性能参数表 Rated lifting load | | | | | | 起重性能参数表 Rated lifting load | | | | | | 起重性能参数表 Rated lifting load | | | | | | 起重性能参数表 Rated lifting load | | | | | | |
| 工作幅度(m) | 不同臂长最大起升载荷Max lifted load(kg) | | | | | 工作幅度(m) | 不同臂长最大起升载荷Max lifted load(kg) | | | | | 工作幅度(m) | 不同臂长最大起升载荷Max lifted load(kg) | | | | | 工作幅度(m) | 不同臂长最大起升载荷Max lifted load(kg) | | | | | |
| Working Radius | 4.9m | 7.6m | 9.3m | 11.1m | 12.7m | Working Radius | 5.1m | 7.7m | 10.3m | 12.8m | 15.4m | Working Radius | 5.1m | 7.9m | 9.7m | 11.5m | 13.4m | Working Radius | 5.3m | 8.1m | 10.8m | 13.5m | 16.1m | |
| 2.50 | 8000 | | | | | 2.50 | 8000 | | | | | 2.50 | 10000 | | | | | | 2.50 | 10000 | | | | |
| 3.00 | 7200 | 6550 | 5850 | | | 3.00 | 7200 | 6050 | 5250 | | | 3.00 | 9000 | 7000 | 6300 | | | | 3.00 | 8500 | 6500 | 5800 | | |
| 3.50 | 6200 | 5800 | 5450 | 4750 | | 3.50 | 6200 | 5300 | 4750 | 4250 | | 3.50 | 7800 | 6300 | 5600 | 5200 | | | 3.50 | 7300 | 5800 | 5100 | 4700 | |
| 4.00 | 5300 | 5200 | 4850 | 4400 | 3570 | 4.00 | 5200 | 4700 | 4200 | 4000 | 2970 | 4.00 | 6900 | 5700 | 5360 | 4800 | 4400 | | 4.00 | 6500 | 5200 | 4600 | 4200 | 3900 |
| 4.50 | 4650 | 4600 | 4550 | 4170 | 3400 | 4.50 | 4500 | 4200 | 3750 | 3570 | 2850 | 4.50 | 5850 | 5450 | 5050 | 4550 | 4200 | | 4.50 | 5750 | 4775 | 4230 | 3884 | 3620 |
| 5.00 | 4400(4.6) | 4350 | 4150 | 3970 | 3250 | 5.00 | 4300(4.7) | 3800 | 3400 | 3270 | 2700 | 5.00 | 5300(4.7) | 5150 | 4750 | 4250 | 3950 | | 5.00 | 5200(4.9) | 4300 | 3800 | 3500 | 3300 |
| 5.50 | 3900 | 3800 | 3550 | 3120 | | 5.50 | 3650 | 3210 | 3050 | 2570 | | 5.50 | 4680 | 4450 | 3900 | 3700 | | | 5.50 | 4080 | 3600 | 3290 | 3050 | |
| 6.00 | 3550 | 3450 | 3250 | 2960 | | 6.00 | 3320 | 3100 | 2800 | 2400 | | 6.00 | 4150 | 3800 | 3650 | 3550 | | | 6.00 | 3800 | 3300 | 3000 | 2800 | |
| 6.50 | 3200 | 3100 | 2890 | 2750 | | 6.50 | 3050 | 2830 | 2650 | 2250 | | 6.50 | 3790 | 3600 | 3450 | 3400 | | | 6.50 | 3590 | 3140 | 2860 | 2650 | |
| 7.00 | 2850 | 2750 | 2570 | 2450 | | 7.00 | 2650 | 2530 | 2450 | 2110 | | 7.00 | 3400 | 3350 | 3250 | 3200 | | | 7.00 | 3400 | 2900 | 2600 | 2400 | |
| 7.50 | 2500(7.3) | 2410 | 2350 | 2250 | | 7.50 | 2400(7.3) | 2350 | 2250 | 1990 | | 7.50 | 3250 | 3180 | 3100 | 3050 | | | 7.50 | 3250 | 2800 | 2500 | 2340 | |
| 8.00 | 2320 | 2250 | 2100 | | | 8.00 | 2220 | 2050 | 1860 | | | 8.00 | 3200(7.6) | 3050 | 2900 | 2800 | | | 8.00 | 3100(7.8) | 2600 | 2400 | 2200 | |
| 8.50 | 2150 | 2060 | 1950 | | | 8.50 | 2090 | 1950 | 1800 | | | 8.50 | 2890 | 2750 | 2680 | | | | 8.50 | 2530 | 2250 | 2105 | | |
| 9.00 | 2050(8.9) | 1950 | 1850 | | | 9.00 | 1880 | 1820 | 1700 | | | 9.00 | 2780 | 2630 | 2570 | | | | 9.00 | 2420 | 2100 | 2000 | | |
| 9.50 | 1880 | 1780 | | | | 9.50 | 1750 | 1690 | 1600 | | | 9.50 | 2700(9.4) | 2520 | 2450 | | | | 9.50 | 2280 | 2050 | 1910 | | |
| 10.00 | 1770 | 1690 | | | | 10.00 | 1660(9.9) | 1580 | 1500 | | | 10.00 | | | 2410 | 2310 | | | 10.00 | 2080 | 2000 | 1800 | | |
| 10.50 | 1680 | 1600 | | | | 10.50 | 1500 | 1400 | | | | 10.50 | | | 2300 | 2200 | | | 10.50 | 1990(10.5) | 1930 | 1730 | | |
| 11.00 | 1600(10.7) | 1490 | | | | 11.00 | 1430 | 1320 | | | | 11.00 | | | 2200 | 2100 | | | 11.00 | | 1800 | 1680 | | |
| 11.50 | 1400 | | | | | 11.50 | 1360 | 1250 | | | | 11.50 | | | 2150(11.2) | 1950 | | | 11.50 | | 1740 | 1620 | | |
| 12.00 | 1350 | | | | | 12.00 | 1280 | 1180 | | | | 12.00 | | | 1780 | | | | 12.00 | | 1620 | 1560 | | |
| 12.50 | 1300(12.3) | | | | | 12.50 | 1200(12.4) | 1100 | | | | 12.50 | | | 1650 | | | | 12.50 | | 1510 | 1510 | | |
| 推荐倍率 | 6 | 4 | 4 | 4 | 4 | 推荐倍率 | 6 | 4 | 4 | 4 | 4 | 推荐倍率 | 6 | 4 | 4 | 4 | 4 | 推荐倍率 | 6 | 4 | 4 | 4 | 4 | |
| | | | | | | 13.00 | 1000 | | | | | 13.00 | | | 1500(13.1) | | | | 13.00 | | 1410(13.1) | 1360 | | |
| | | | | | | 13.50 | 900 | | | | | 13.50 | | | | | | | 13.50 | | | 1270 | | |
| | | | | | | 14.00 | 850 | | | | | 14.00 | | | | | | | 14.00 | | | 1190 | | |
| | | | | | | 14.50 | 800 | | | | | 14.50 | | | | | | | 14.50 | | | 1120 | | |
| | | | | | | 15.00 | 710 | | | | | 15.00 | | | | | | | 15.00 | | | 1050 | | |
| | | | | | | 15.50 | 710 | | | | | 15.50 | | | | | | | 15.50 | | | 1000 | | |
| | | | | | | 15.50 | 700(15.1) | | | | | 15.50 | | | | | | | 15.50 | | | 900(15.8) | | |
| | | | | | | 推荐倍率 | 6 | 4 | 4 | 4 | 4 | 推荐倍率 | 6 | 4 | 4 | 4 | 4 | 推荐倍率 | 6 | 4 | 4 | 4 | 4 | |



| 项目 | Item | 单位Unit | SQS300 III | SQS300 IV | SQS300 I | SQS300 II | SQS300 V | SQS350B |
|----------|----------------------------------|--------|-----------------------|-----------|----------|-----------|------------|---------|
| 最大起升质量 | Max Lifting Capacity | kg | 12000 | | 12000 | | 12000 | 14000 |
| 最大起重力矩 | Max Lifting Moment | T.M | 30 | | 30 | | 30 | 35 |
| 推荐功率 | Recommend Power | kw | 45 | | 45 | | 45 | 55 |
| 液压系统最大流量 | Max Oil Flow of Hydraulic System | L/min | 80+32 | | 80+32 | | 80+32 | 63+50 |
| 液压系统额定压力 | Max Pressure of Hydraulic System | MPa | 26 | | 26 | | 26 | 26 |
| 油箱容积 | Oil Tank Capacity | L | 200 | | 200 | | 200 | 260 |
| 起重機自重 | Crane Weight | kg | 4117 | 4102 | 4415 | 4250 | 4385(4450) | 5433 |
| 安装空间 | Installation Space | mm | 1300 | | 1300 | | 1300 | 1200 |
| 回转角度 | Rotation Angle | ° | 360° 全回转 All Rotation | | | | | |

| SQS300 III型 | SQS300 IV型 | SQS300 I型 | SQS300 II型 | SQS300 V型 | SQS350B |
|---------------------------|--------------------------|--------------------------|--------------------------|---------------------|----------------------------|
| 三节伸缩臂、II型基座座椅操纵、IV型转台座椅操纵 | 四节伸缩臂、I型基座座椅操纵、II型转台座椅操纵 | 四节伸缩臂、I型基座座椅操纵、II型转台座椅操纵 | 四节伸缩臂、I型基座座椅操纵、II型转台座椅操纵 | 四节伸缩臂、转台座椅操纵、副臂3.7米 | 起重性能参数表 Rated lifting load |



| 工作幅度(m) | 不同臂长最大起升载荷Max lifted load(kg) | | | | | |
|----------------|-------------------------------|------------|--------|--------|------------|------------|
| Working Radius | 5.54m | 8.70m | 11.80m | 14.90m | 18.00m | |
| 2.50 | 14000 | | | | | |
| 3.00 | 12000 | 10000 | | | | |
| 3.50 | 10500 | 8800 | 8000 | | | |
| 4.00 | 9500 | 7700 | 7000 | 6500 | | |
| 4.50 | 8700 | 7000 | 6300 | 5800 | 5000 | |
| 5.00 | 8200 | 6300 | 5700 | 5400 | 4500 | |
| 5.50 | 8000(5.20) | 5800 | 5250 | 5000 | 4050 | |
| 6.00 | | 5450 | 4850 | 4600 | 3750 | |
| 6.50 | | 5150 | 4600 | 4200 | 3540 | |
| 7.00 | | 4900 | 4350 | 4000 | 3350 | |
| 7.50 | | 4700 | 4150 | 3800 | 3170 | |
| 8.00 | | 4500 | 3900 | 3600 | 3000 | |
| 8.50 | | 4300(8.40) | 3700 | 3500 | 2870 | |
| 9.00 | | | 3550 | 3300 | 2700 | |
| 9.50 | | | 3400 | 3100 | 2560 | |
| 10.00 | | | 3250 | 2850 | 2450 | |
| 10.50 | | | 3100 | 2750 | 2350 | |
| 11.00 | | | 2900 | 2600 | 2250 | |
| 11.50 | | | 2700 | 2470 | 2160 | |
| 12.00 | | | | 2340 | 2080 | |
| 12.50 | | | | 2220 | 2000 | |
| 13.00 | | | | 2100 | 1930 | |
| 13.50 | | | | 2000 | 1860 | |
| 14.00 | | | | 1920 | 1790 | |
| 14.50 | | | | 1860 | 1710 | |
| 15.00 | | | | | 1640(14.6) | 1640 |
| 15.50 | | | | | | 1570 |
| 16.00 | | | | | | 1500 |
| 16.50 | | | | | | 1400 |
| 17.00 | | | | | | 1350 |
| 17.50 | | | | | | 1320 |
| 18.00 | | | | | | 1300(17.7) |
| 推荐倍率 | 6 | 4 | 4 | 4 | 4 | |

SQS300随车起重机

起重性能参数表 Rated lifting load

| 工作幅度(m) | 不同臂长最大起升载荷Max lifted load(kg) | | | |
|----------------|-------------------------------|------------|-------|-------|
| Working Radius | 5.4m | 8.2m | 11.0m | 13.8m |
| 2.50 | 12000 | | | |
| 3.00 | 10700 | 8800 | 7900 | |
| 3.50 | 9200 | 7800 | 7000 | 6500 |
| 4.00 | 8100 | 7100 | 6300 | 5900 |
| 4.50 | 7200 | 6400 | 5800 | 5300 |
| 5.00 | 6100(5.0) | 5900 | 5300 | 4900 |
| 5.50 | 5500 | 4900 | 4560 | |
| 6.00 | 5100 | 4600 | 4200 | |
| 6.50 | 4850 | 4330 | 3980 | |
| 7.00 | 4600 | 4000 | 3700 | |
| 7.50 | 4390 | 3850 | 3530 | |
| 8.00 | 3900(7.9) | 3600 | 3300 | |
| 8.50 | | 3450 | 3150 | |
| 9.00 | | 3300 | 3000 | |
| 9.50 | | 3200 | 2900 | |
| 10.00 | | 2900 | 2700 | |
| 10.50 | | 2500(10.7) | 2600 | |
| 11.00 | | 2400 | | |
| 11.50 | | 2250 | | |
| 12.00 | | 2100 | | |
| 12.50 | | 1950 | | |
| 13.00 | | 1900 | | |
| 13.50 | | 1900(13.4) | | |
| 推荐倍率 | 6 | 6 | 4 | 4 |

SQS300随车起重机

起重性能参数表 Rated lifting load

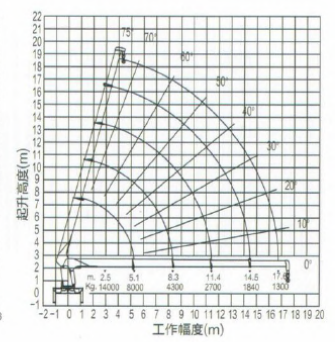
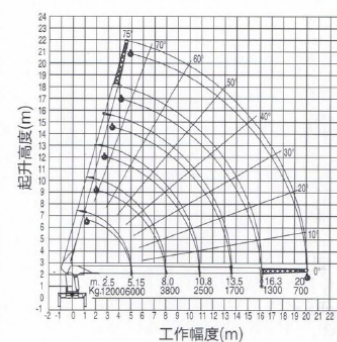
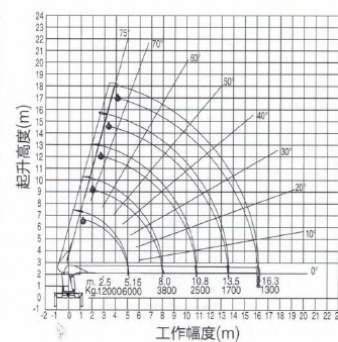
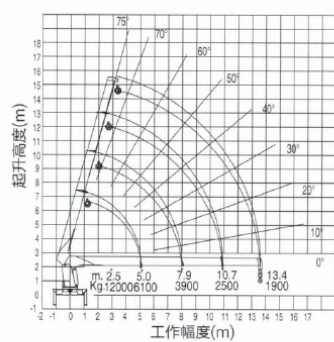
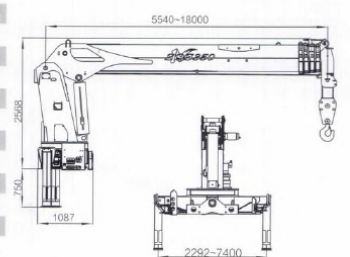
| 工作幅度(m) | 不同臂长最大起升载荷Max lifted load(kg) | | | | |
|----------------|-------------------------------|------------|-------|------------|-----------|
| Working Radius | 5.5m | 8.4m | 11.0m | 13.8m | 16.7m |
| 2.50 | 12000 | | | | |
| 3.00 | 10600 | 8700 | 7800 | | |
| 3.50 | 9100 | 7700 | 6900 | 6400 | |
| 4.00 | 8000 | 7000 | 6200 | 5800 | 5300 |
| 4.50 | 7100 | 6300 | 5700 | 5200 | 4800 |
| 5.00 | 6000(5.15) | 5800 | 5200 | 4800 | 4400 |
| 5.50 | 5400 | 4800 | 4460 | 4130 | |
| 6.00 | 5000 | 4500 | 4100 | 3800 | |
| 6.50 | 4750 | 4230 | 3880 | 3550 | |
| 7.00 | 4500 | 3900 | 3600 | 3300 | |
| 7.50 | 4290 | 3750 | 3430 | 3150 | |
| 8.00 | 3800(8.0) | 3500 | 3200 | 2900 | |
| 8.50 | | 3350 | 3050 | 2800 | |
| 9.00 | | 3200 | 2900 | 2600 | |
| 9.50 | | 3100 | 2800 | 2570 | |
| 10.00 | | 2800 | 2600 | 2400 | |
| 10.50 | | 2500(10.8) | 2500 | 2350 | |
| 11.00 | | 2400 | 2200 | 2100 | |
| 11.50 | | 2250 | 2150 | 2110 | |
| 12.00 | | 2100 | 2050 | 2110 | |
| 12.50 | | 1950 | 2000 | 2110 | |
| 13.00 | | 1800 | 1900 | 2100 | |
| 13.50 | | 1700(13.5) | 1800 | 2100 | |
| 14.00 | | 1690 | 1400 | 1690 | 900 |
| 14.50 | | 1600 | 1450 | 1600 | 850 |
| 15.00 | | 1510 | 1500 | 1510 | 800 |
| 15.50 | | 1430 | 1500 | 1430 | 780 |
| 16.00 | | 1350 | 1600 | 1350 | 750 |
| 16.50 | | 1300(16.3) | 1650 | 1300(16.3) | 730 |
| 20.00 | | | | | 700(20.0) |
| 推荐倍率 | 6 | 6 | 4 | 4 | 4 |

SQS300随车起重机

起重性能参数表 Rated lifting load

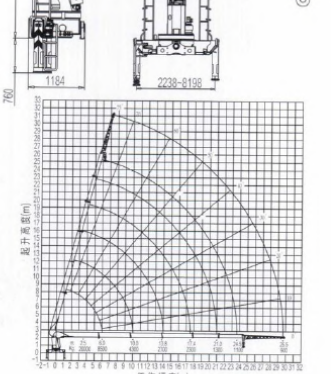
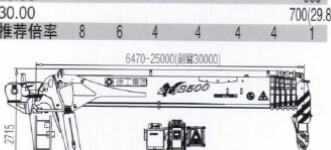
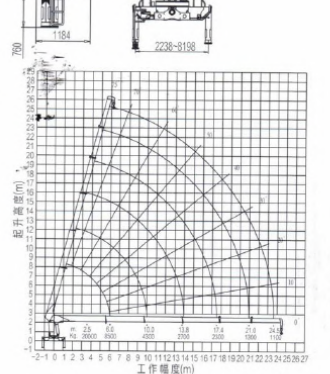
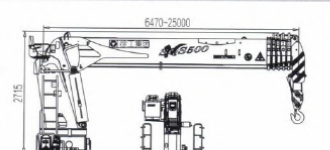
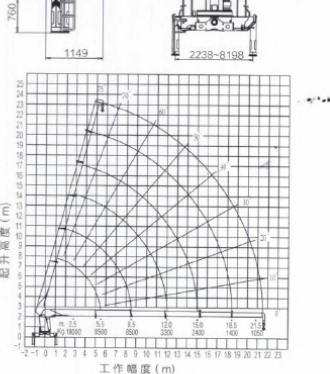
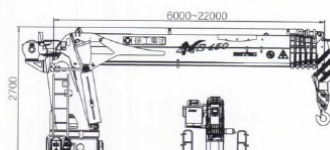
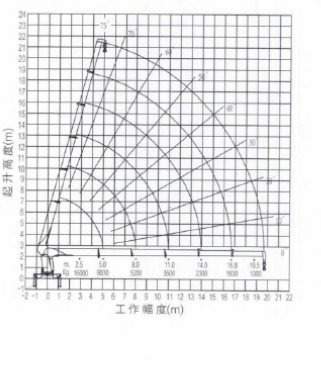
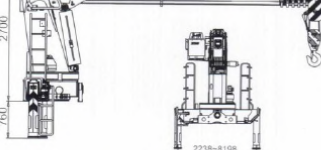
| 工作幅度(m) | 不同臂长最大起升载荷Max lifted load(kg) | | | | | |
|----------------|-------------------------------|------------|-------|------------|-------|------------|
| Working Radius | 5.5m | 8.4m | 11.0m | 13.8m | 16.7m | JIB(20.4m) |
| 2.50 | 12000 | | | | | |
| 3.00 | 10600 | 8700 | 7800 | | | |
| 3.50 | 9100 | 7700 | 6900 | 6400 | | |
| 4.00 | 8000 | 7000 | 6200 | 5800 | 5300 | |
| 4.50 | 7100 | 6300 | 5700 | 5200 | 4800 | |
| 5.00 | 6000(5.15) | 5800 | 5200 | 4800 | 4400 | 1300 |
| 5.50 | 5400 | 4800 | 4460 | 4130 | 1280 | |
| 6.00 | 5000 | 4500 | 4100 | 3800 | 1280 | |
| 6.50 | 4750 | 4230 | 3880 | 3550 | 1250 | |
| 7.00 | 4500 | 3900 | 3600 | 3300 | 1250 | |
| 7.50 | 4290 | 3750 | 3430 | 3150 | 1250 | |
| 8.00 | 3800(8.0) | 3500 | 3200 | 2900 | 1230 | |
| 8.50 | | 3350 | 3050 | 2800 | 1230 | |
| 9.00 | | 3200 | 2900 | 2600 | 1220 | |
| 9.50 | | 3100 | 2800 | 2570 | 1200 | |
| 10.00 | | 2800 | 2600 | 2400 | 1180 | |
| 10.50 | | 2500(10.8) | 2500 | 2350 | 1180 | |
| 11.00 | | 2400 | 2200 | 2100 | 1150 | |
| 11.50 | | 2250 | 2150 | 2110 | 1110 | |
| 12.00 | | 2100 | 2050 | 2110 | 1110 | |
| 12.50 | | 1950 | 2000 | 2110 | 1100 | |
| 13.00 | | 1800 | 1900 | 2100 | 1100 | |
| 13.50 | | 1700(13.5) | 1800 | 2100 | 950 | |
| 14.00 | | 1690 | 1400 | 1690 | 900 | |
| 14.50 | | 1600 | 1450 | 1600 | 850 | |
| 15.00 | | 1510 | 1500 | 1510 | 800 | |
| 15.50 | | 1430 | 1500 | 1430 | 780 | |
| 16.00 | | 1350 | 1600 | 1350 | 750 | |
| 16.50 | | 1300(16.3) | 1650 | 1300(16.3) | 730 | |
| 20.00 | | | | | | 700(20.0) |
| 推荐倍率 | 6 | 6 | 4 | 4 | 4 | 1 |

| 工作幅度(m) | 不同臂长最大起升载荷Max lifted load(kg) | | | | | |
|----------------|-------------------------------|------------|--------|--------|------------|------------|
| Working Radius | 5.54m | 8.70m | 11.80m | 14.90m | 18.00m | |
| 2.50 | 14000 | | | | | |
| 3.00 | 12000 | 10000 | | | | |
| 3.50 | 10500 | 8800 | 8000 | | | |
| 4.00 | 9500 | 7700 | 7000 | 6500 | | |
| 4.50 | 8700 | 7000 | 6300 | 5800 | 5000 | |
| 5.00 | 8200 | 6300 | 5700 | 5400 | 4500 | |
| 5.50 | 8000(5.20) | 5800 | 5250 | 5000 | 4050 | |
| 6.00 | | 5450 | 4850 | 4600 | 3750 | |
| 6.50 | | 5150 | 4600 | 4200 | 3540 | |
| 7.00 | | 4900 | 4350 | 4000 | 3350 | |
| 7.50 | | 4700 | 4150 | 3800 | 3170 | |
| 8.00 | | 4500 | 3900 | 3600 | 3000 | |
| 8.50 | | 4300(8.40) | 3700 | 3500 | 2870 | |
| 9.00 | | | 3550 | 3300 | 2700 | |
| 9.50 | | | 3400 | 3100 | 2560 | |
| 10.00 | | | 3250 | 2850 | 2450 | |
| 10.50 | | | 3100 | 2750 | 2350 | |
| 11.00 | | | 2900 | 2600 | 2250 | |
| 11.50 | | | 2700 | 2470 | 2160 | |
| 12.00 | | | | 2340 | 2080 | |
| 12.50 | | | | 2220 | 2000 | |
| 13.00 | | | | 2100 | 1930 | |
| 13.50 | | | | 2000 | 1860 | |
| 14.00 | | | | 1920 | 1790 | |
| 14.50 | | | | 1860 | 1710 | |
| 15.00 | | | | | 1640(14.6) | 1640 |
| 15.50 | | | | | | 1570 |
| 16.00 | | | | | | 1500 |
| 16.50 | | | | | | 1400 |
| 17.00 | | | | | | 1350 |
| 17.50 | | | | | | 1320 |
| 18.00 | | | | | | 1300(17.7) |
| 推荐倍率 | 6 | 4 | 4 | 4 | 4 | |



| 项目 | 单位Unit | SQS400A | SQS450A | SQS500A | SQS500AIII |
|----------|----------------------------------|---------|-----------------------|---------|------------|
| 最大起升质量 | Max Lifting Capacity | kg | 16000 | 18000 | 20000 |
| 最大起重力矩 | Max Lifting Moment | T.M | 40 | 45 | 50 |
| 推荐功率 | Recommend Power | kw | 60 | 60 | 60 |
| 液压系统最大流量 | Max Oil Flow of Hydraulic System | L/min | 63+63 | 63+63 | 63+63 |
| 液压系统额定压力 | Max Pressure of Hydraulic System | MPa | 26 | 26 | 26 |
| 油箱容积 | Oil Tank Capacity | L | 260 | 260 | 260 |
| 起重机自重 | Crane Weight | kg | 6700 | 6900 | 7446 |
| 安装空间 | Installation Space | mm | 1300 | 1300 | 1300 |
| 回转角度 | Rotation Angle | ° | 360° 全回转 All Rotation | | |

| SQS400A | | | SQS450A | | | SQS500A | | | SQS500AIII (五节伸缩臂+副臂) | | | | | | | | | | | | | | | | |
|----------------------------|-------------------------------|-------|----------------------------|-------------------------------|------------|----------------------------|-------------------------------|------------|----------------------------|-------------------------------|------------|------------|--------|------------|------------|-------|------------|-------|-------|-------|------|------|------|------|------|
| 起重性能参数表 Rated lifting load | | | 起重性能参数表 Rated lifting load | | | 起重性能参数表 Rated lifting load | | | 起重性能参数表 Rated lifting load | | | | | | | | | | | | | | | | |
| 工作幅度(m) | 不同臂长最大起升载荷Max lifted load(kg) | | 工作幅度(m) | 不同臂长最大起升载荷Max lifted load(kg) | | 工作幅度(m) | 不同臂长最大起升载荷Max lifted load(kg) | | 工作幅度(m) | 不同臂长最大起升载荷Max lifted load(kg) | | | | | | | | | | | | | | | |
| Working Radius | 5.60m | 8.65m | 11.60 | 14.40 | 17.20 | 20.00 | Working Radius | 6.00m | 9.36m | 12.61m | 15.74m | 18.67m | 22.00m | | | | | | | | | | | | |
| 2.50 | 16000 | 11500 | 2.50 | 18000 | 13000 | 2.50 | 20000 | 15000 | 2.50 | 20000 | 15000 | 3.00 | 17000 | 14000 | | | | | | | | | | | |
| 3.00 | 14500 | 10500 | 9000 | 3.00 | 15500 | 12000 | 9500 | 3.00 | 17000 | 14000 | 3.00 | 18000 | 14000 | 3.00 | 17000 | 14000 | | | | | | | | | |
| 3.50 | 12500 | 9800 | 7750 | 6000 | 3.50 | 13500 | 11000 | 8420 | 3.50 | 14800 | 12100 | 10000 | 3.50 | 14800 | 12100 | 10000 | | | | | | | | | |
| 4.00 | 11500 | 8500 | 6850 | 5500 | 4.00 | 12000 | 9600 | 7400 | 6610 | 4.00 | 13000 | 10600 | 8800 | 4.00 | 13000 | 10600 | 8800 | | | | | | | | |
| 5.00 | 10500 | 7600 | 6160 | 5200 | 5000 | 4.50 | 11000 | 8800 | 6740 | 6200 | 5780 | 4.50 | 11800 | 9800 | 8000 | 7200 | 4.50 | 11800 | 9800 | 8000 | 7200 | | | | |
| 5.00 | 9000 | 7200 | 6000 | 4900 | 4490 | 3800 | 5.00 | 9500 | 8100 | 6500 | 5800 | 5200 | 5.00 | 10300 | 9100 | 7500 | 6600 | 5960 | 5.00 | 10300 | 9100 | 7500 | 6600 | 5960 | |
| 5.50 | 8900(5.2) | 6800 | 5900 | 4700 | 4070 | 3550 | 5.50 | 8800 | 7600 | 6400 | 5450 | 4700 | 4140 | 5.50 | 9300 | 8400 | 7200 | 6200 | 5420 | 5.50 | 9300 | 8400 | 7200 | 6200 | 5420 |
| 6.00 | 6400 | 5700 | 4400 | 3730 | 3250 | 6.00 | 8500(5.6) | 7100 | 6000 | 5100 | 4320 | 3800 | 6.00 | 8500 | 7700 | 6800 | 5800 | 4980 | 6.00 | 8500 | 7700 | 6800 | 5800 | 4980 | |
| 6.50 | 6000 | 5500 | 4300 | 3640 | 3000 | 6.50 | 6700 | 5800 | 4800 | 3980 | 3520 | 7.00 | 6500 | 6200 | 5000 | 4380 | 4030 | 7.00 | 6500 | 6200 | 5000 | 4380 | 4030 | | |
| 7.00 | 5800 | 5400 | 4000 | 3500 | 2780 | 7.00 | 6200 | 5550 | 4500 | 3690 | 3370 | 7.50 | 6000 | 6000 | 4500 | 4000 | 3770 | 7.50 | 6000 | 6000 | 4500 | 4000 | 3770 | | |
| 7.50 | 5500 | 5300 | 3750 | 3300 | 2600 | 7.50 | 5800 | 5450 | 4100 | 3440 | 3050 | 8.00 | 5600 | 5600 | 4100 | 3750 | 3530 | 8.00 | 5600 | 5600 | 4100 | 3750 | 3530 | | |
| 8.00 | 5300 | 4900 | 3550 | 3100 | 2440 | 8.00 | 5400 | 5050 | 3800 | 3250 | 2870 | 8.50 | 5225 | 5100 | 3800 | 3540 | 3330 | 8.50 | 5225 | 5100 | 3800 | 3540 | 3330 | | |
| 8.50 | 5200(8.2) | 4500 | 3400 | 2950 | 2290 | 8.50 | 5200 | 4600 | 3600 | 3100 | 2700 | 9.00 | 4850 | 4700 | 3600 | 3340 | 3150 | 9.00 | 4850 | 4700 | 3600 | 3340 | 3150 | | |
| 9.00 | 4200 | 3300 | 2850 | 2170 | 9.00 | 5100 | 4300 | 3450 | 3000 | 2550 | 9.50 | 4575 | 4300 | 3400 | 3170 | 2990 | 9.50 | 4575 | 4300 | 3400 | 3170 | 2990 | | | |
| 9.50 | 3900 | 3150 | 2830 | 2100 | 9.50 | 4000 | 3250 | 2950 | 2410 | 10.00 | 4300 | 4000 | 3200 | 3010 | 2840 | 10.00 | 4300 | 4000 | 3200 | 3010 | 2840 | | | | |
| 10.00 | 3700 | 3000 | 2750 | 2000 | 10.00 | 3800 | 3100 | 2850 | 2300 | 10.50 | 3800 | 3100 | 2860 | 2710 | 10.50 | 3800 | 3100 | 2860 | 2710 | 10.50 | | | | | |
| 10.50 | 3600 | 2900 | 2600 | 1900 | 10.50 | 3720 | 3000 | 2700 | 2200 | 11.00 | 3750 | 3000 | 2730 | 2590 | 11.00 | 3750 | 3000 | 2730 | 2590 | 11.00 | | | | | |
| 11.00 | 3550 | 2800 | 2450 | 1840 | 11.00 | 3600 | 2900 | 2550 | 2100 | 11.50 | 3600 | 2900 | 2580 | 2470 | 11.50 | 3600 | 2900 | 2580 | 2470 | 11.50 | | | | | |
| 11.50 | 3500(11.2) | 2700 | 2300 | 1760 | 11.50 | 3450 | 2800 | 2400 | 1990 | 12.00 | 3400 | 2800 | 2480 | 2370 | 12.00 | 3400 | 2800 | 2480 | 2370 | 12.00 | | | | | |
| 12.00 | 2600 | 2200 | 1700 | 12.00 | 3350 | 2700 | 2300 | 1900 | 12.50 | 3200 | 2750 | 2370 | 2280 | 12.50 | 3200 | 2750 | 2370 | 2280 | 12.50 | | | | | | |
| 12.50 | 2550 | 2100 | 1620 | 12.50 | 3300(12.2) | 2650 | 2200 | 1830 | 13.00 | 3000 | 2700 | 2320 | 2190 | 13.00 | 3000 | 2700 | 2320 | 2190 | 13.00 | | | | | | |
| 13.00 | 2500 | 2050 | 1550 | 13.00 | 2800 | 2150 | 1760 | 13.50 | 2800 | 2650 | 2210 | 2110 | 13.50 | 2800 | 2650 | 2210 | 2110 | 13.50 | | | | | | | |
| 13.50 | 2450 | 1950 | 1500 | 13.50 | 2550 | 2050 | 1690 | 14.00 | 2700(13.8) | 2600 | 2150 | 2030 | 14.00 | 2700(13.8) | 2600 | 2150 | 2030 | 14.00 | | | | | | | |
| 14.00 | 2400 | 1900 | 1450 | 14.00 | 2500 | 2000 | 1630 | 14.50 | 2550 | 2100 | 1960 | 14.50 | 2550 | 2100 | 1960 | 14.50 | 2550 | 2100 | 1960 | 14.50 | | | | | |
| 14.50 | 1850 | 1400 | 14.50 | 2450 | 1950 | 1570 | 15.00 | 2500 | 2020 | 1890 | 15.00 | 2450 | 1950 | 1830 | 15.00 | 2450 | 1950 | 1830 | 15.00 | | | | | | |
| 15.00 | 1800 | 1340 | 15.00 | 2420 | 1900 | 1510 | 16.00 | 2400 | 1850 | 1770 | 16.00 | 2400 | 1850 | 1770 | 16.00 | 2400 | 1850 | 1770 | 16.00 | | | | | | |
| 15.50 | 1750 | 1250 | 15.50 | 2400(15.2) | 1850 | 1460 | 16.50 | 2350 | 1750 | 1710 | 16.50 | 2350 | 1750 | 1710 | 16.50 | 2350 | 1750 | 1710 | 16.50 | | | | | | |
| 16.00 | 1700 | 1200 | 16.00 | 1750 | 1410 | 17.00 | 2320 | 1700 | 1660 | 17.00 | 2320 | 1700 | 1660 | 17.00 | 2320 | 1700 | 1660 | 17.00 | | | | | | | |
| 16.50 | 1650 | 1160 | 16.50 | 1650 | 1360 | 17.50 | 2300(17.4) | 1650 | 1610 | 17.50 | 2300(17.4) | 1650 | 1610 | 17.50 | 2300(17.4) | 1650 | 1610 | 17.50 | | | | | | | |
| 17.00 | 1600(16.8) | 1150 | 17.00 | 1600 | 1320 | 18.00 | 1600 | 1560 | 18.00 | 1600 | 1560 | 18.00 | 1600 | 1560 | 18.00 | 1600 | 1560 | 18.00 | | | | | | | |
| 17.50 | 1110 | 17.50 | 1550 | 1280 | 19.00 | 1500 | 1480 | 19.00 | 1500 | 1480 | 19.00 | 1500 | 1480 | 19.00 | 1500 | 1480 | 19.00 | | | | | | | | |
| 18.00 | 1080 | 18.00 | 1520 | 1240 | 19.50 | 1450 | 1430 | 19.50 | 1450 | 1430 | 19.50 | 1450 | 1430 | 19.50 | 1450 | 1430 | 19.50 | | | | | | | | |
| 18.50 | 1050 | 18.50 | 1500 | 1200 | 20.00 | 1400 | 1390 | 20.00 | 1400 | 1390 | 20.00 | 1400 | 1390 | 20.00 | 1400 | 1390 | 20.00 | | | | | | | | |
| 19.00 | 1030 | 19.00 | 1160 | 1180 | 20.50 | 1350 | 1350 | 20.50 | 1350 | 1350 | 20.50 | 1350 | 1350 | 20.50 | 1350 | 1350 | 20.50 | | | | | | | | |
| 19.50 | 1010 | 19.50 | 1140 | 21.00 | 1300 | 1320 | 21.00 | 1300 | 1320 | 21.00 | 1300 | 1320 | 21.00 | 1300 | 1320 | 21.00 | 1300 | | | | | | | | |
| 20.00 | 1000(19.6) | 20.00 | 1100 | 21.50 | 1280 | 21.50 | 1250 | 21.50 | 1250 | 21.50 | 1250 | 21.50 | 1250 | 21.50 | 1250 | 21.50 | 1250 | | | | | | | | |
| 推荐倍率 | 6 | 4 | 4 | 4 | 4 | 4 | 22.00 | 1220 | 22.00 | 1220 | 22.00 | 1220 | 22.00 | 22.00 | 1220 | 22.00 | 1220 | | | | | | | | |
| | | | | | | | 23.00 | 1180 | 23.00 | 1180 | 23.00 | 1180 | 23.00 | 23.00 | 1180 | 23.00 | 1180 | | | | | | | | |
| | | | | | | | 23.50 | 1150 | 23.50 | 1150 | 23.50 | 1150 | 23.50 | 23.50 | 1150 | 23.50 | 1150 | | | | | | | | |
| | | | | | | | 24.00 | 1130 | 24.00 | 1130 | 24.00 | 1130 | 24.00 | 24.00 | 1130 | 24.00 | 1130 | | | | | | | | |
| | | | | | | | 24.50 | 1110 | 24.50 | 1110 | 24.50 | 1110 | 24.50 | 24.50 | 1110 | 24.50 | 1110 | | | | | | | | |
| | | | | | | | 25.00 | 1100(24.6) | 25.00 | 1100(24.6) | 25.00 | 1100(24.6) | 25.00 | 25.00 | 1100(24.6) | 25.00 | 1100(24.6) | | | | | | | | |
| | | | | | | | 25.50 | 900 | 25.50 | 900 | 25.50 | 900 | 25.50 | 25.50 | 900 | 25.50 | 900 | | | | | | | | |
| | | | | | | | 30.00 | 700(29.8) | 30.00 | 700(29.8) | 30.00 | 700(29.8) | 30.00 | 30.00 | 700(29.8) | 30.00 | 700(29.8) | | | | | | | | |
| | | | | | | | 推荐倍率 | 8 | 6 | 4 | 4 | 4 | 4 | 推荐倍率 | 8 | 6 | 4 | 4 | | | | | | | |
| | | | | | | | | | | | | | | | | | | | | | | | | | |





(Batch units Crane in Factory, The delivery time is short)

POWERSTAR TRUCKS INDUSTRY CO., LIMITED

Add: No.899, Automotive High-tech Industrial Zone, Suizhou City, Hubei, China

Sales Hotline: +86-136 4729 7999

: +86-136 7721 8585 (Viber, whatsapp)

Fax: +86-722382 9200

Post Code: 441300

E-mail: info@isuzutruckscn.com